

Serial Number 09/580,968

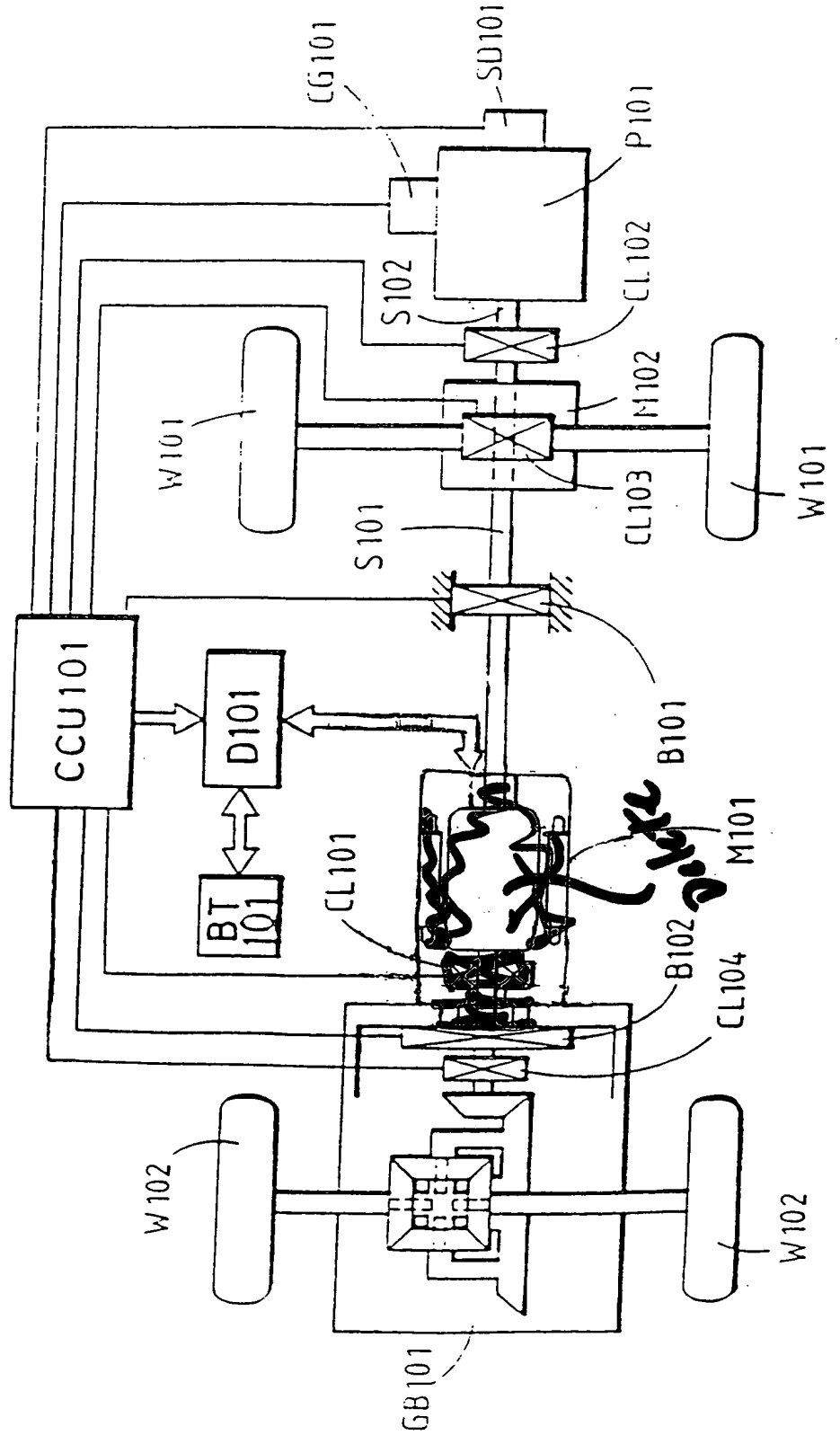
**AMENDMENTS TO THE DRAWINGS**

Replacement Figs. 1-8 were attached to the response submitted on December 22, 2003.  
Red-marked sheets showing the changes are attached hereto.

ANNOTATED SHEET SHOWING CHANGES



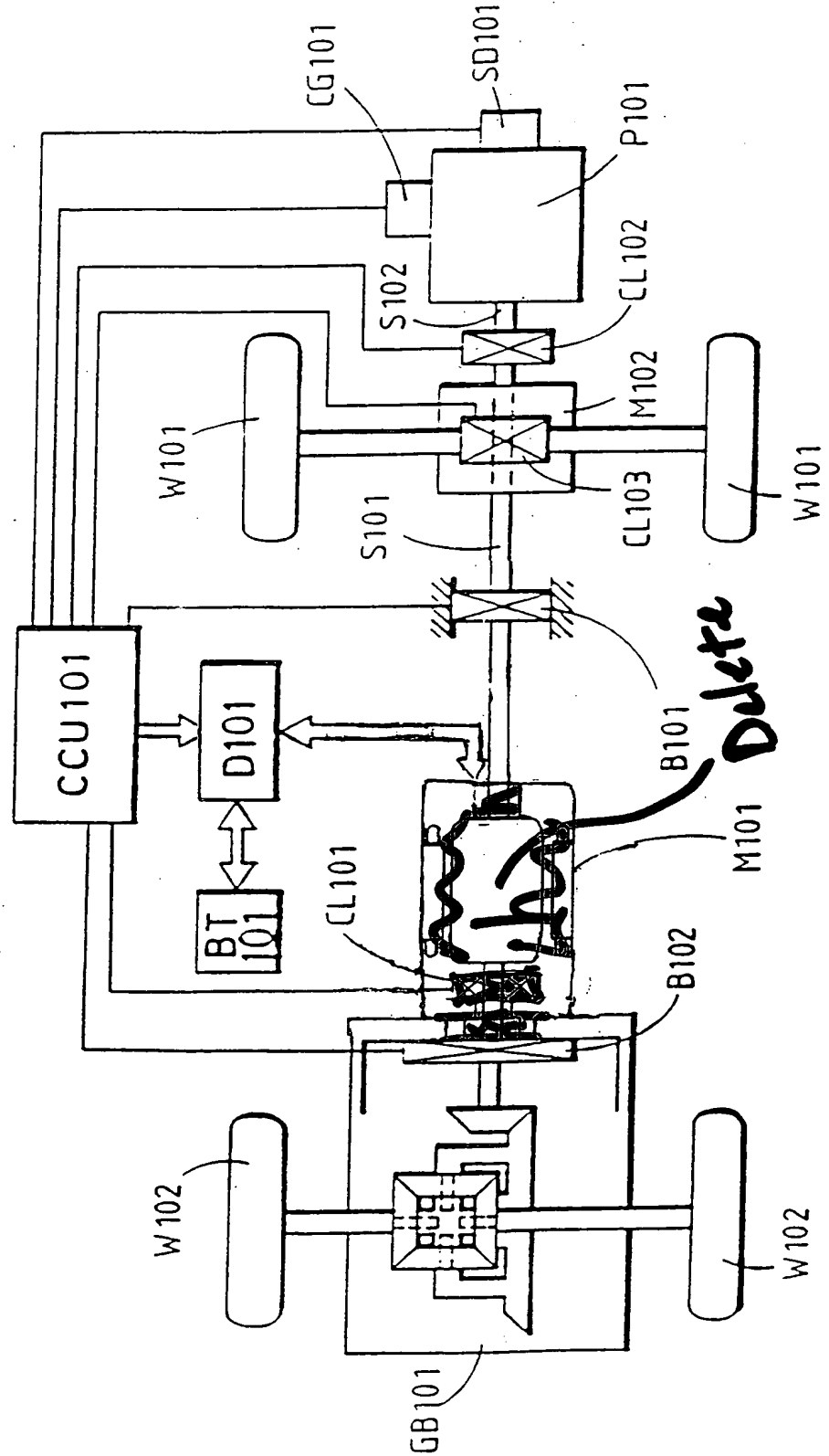
AMENDED FIG. 1



ANNOTATED SHEET SHOWING CHANGES



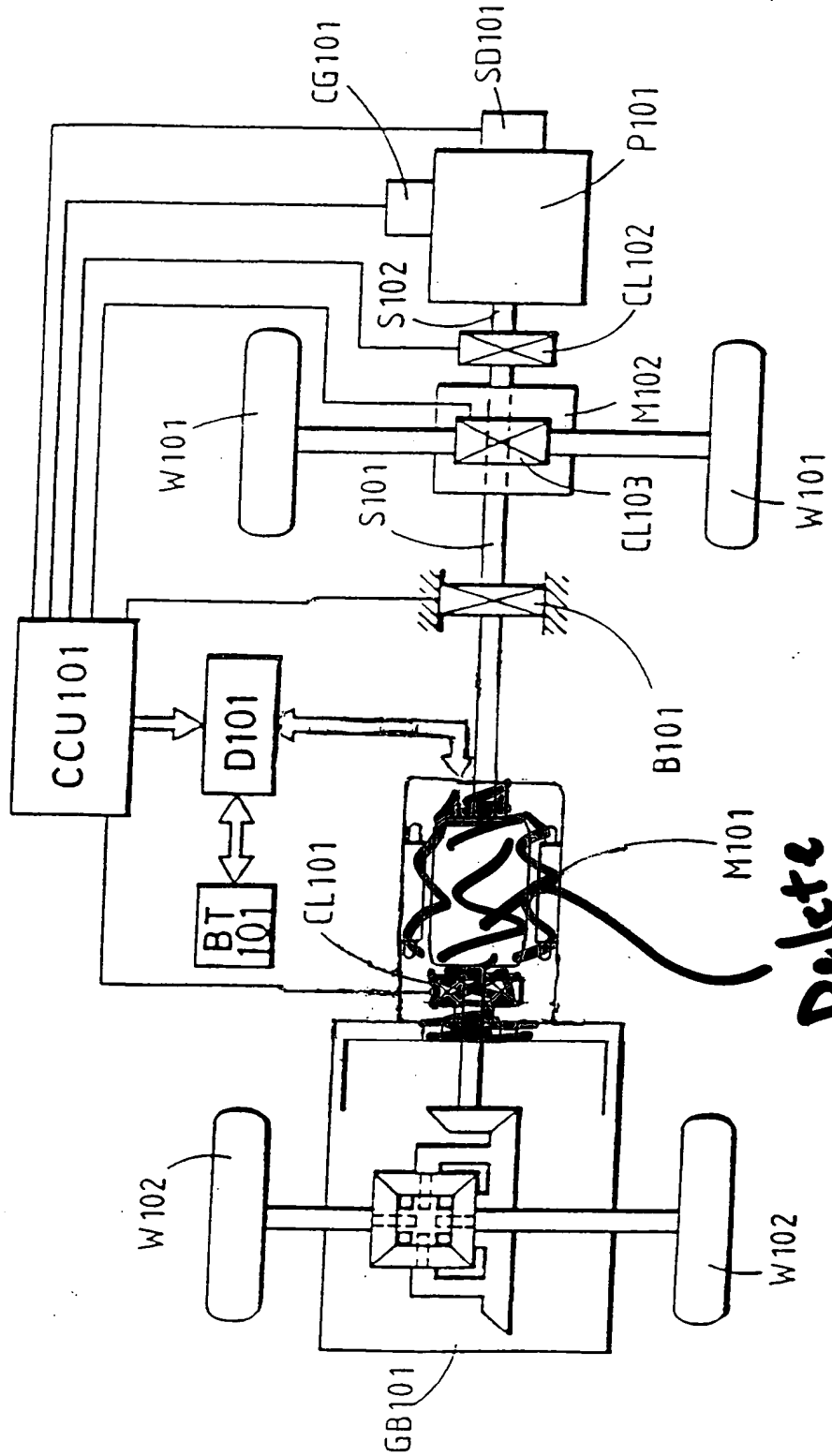
AMENDED FIG. 2



ANNOTATED SHEET SHOWING CHANGES



AMENDED FIG. 3



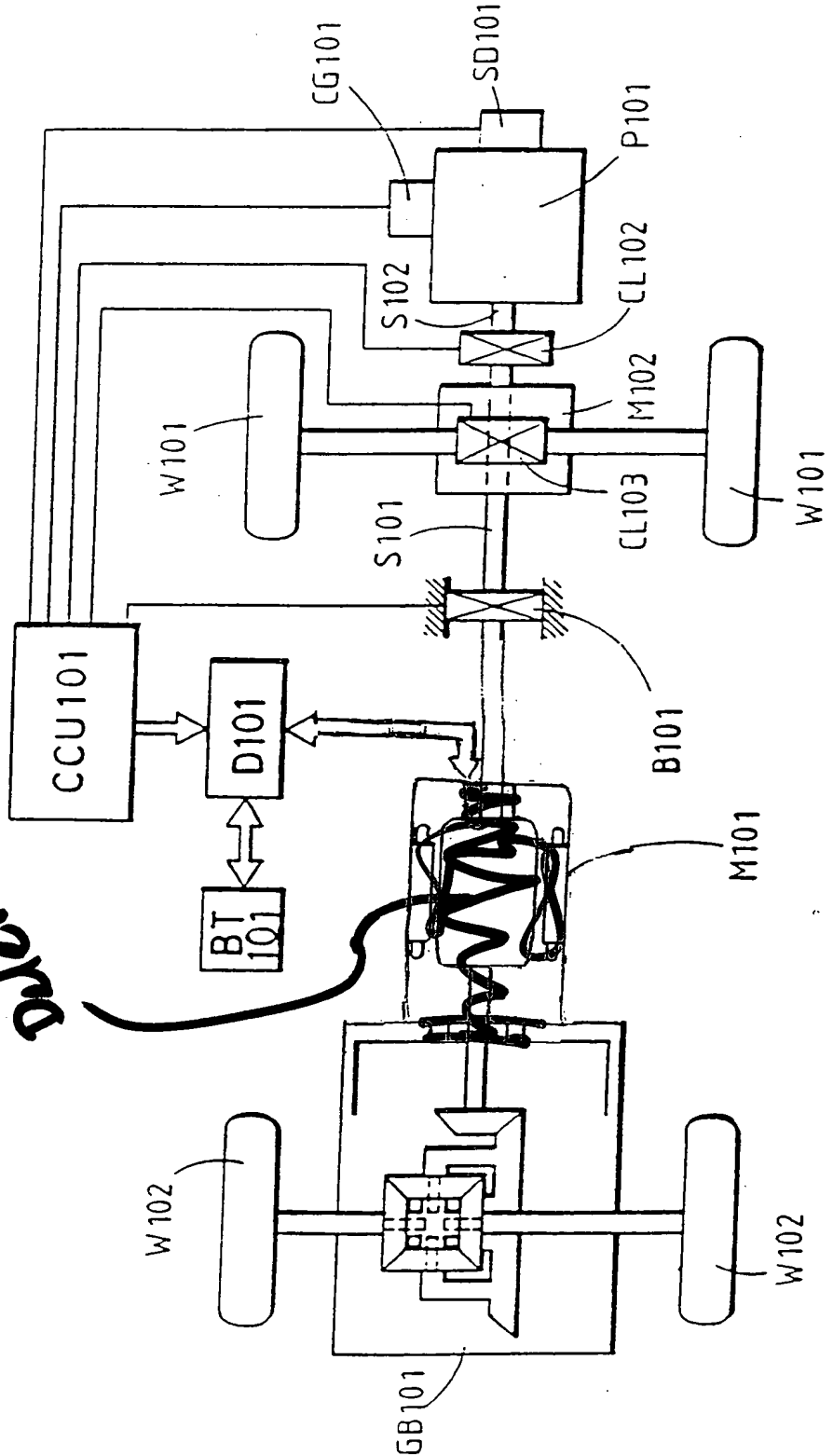
Delete

ANNOTATED SHEET SHOWING CHANGES



AMENDED FIG. 4

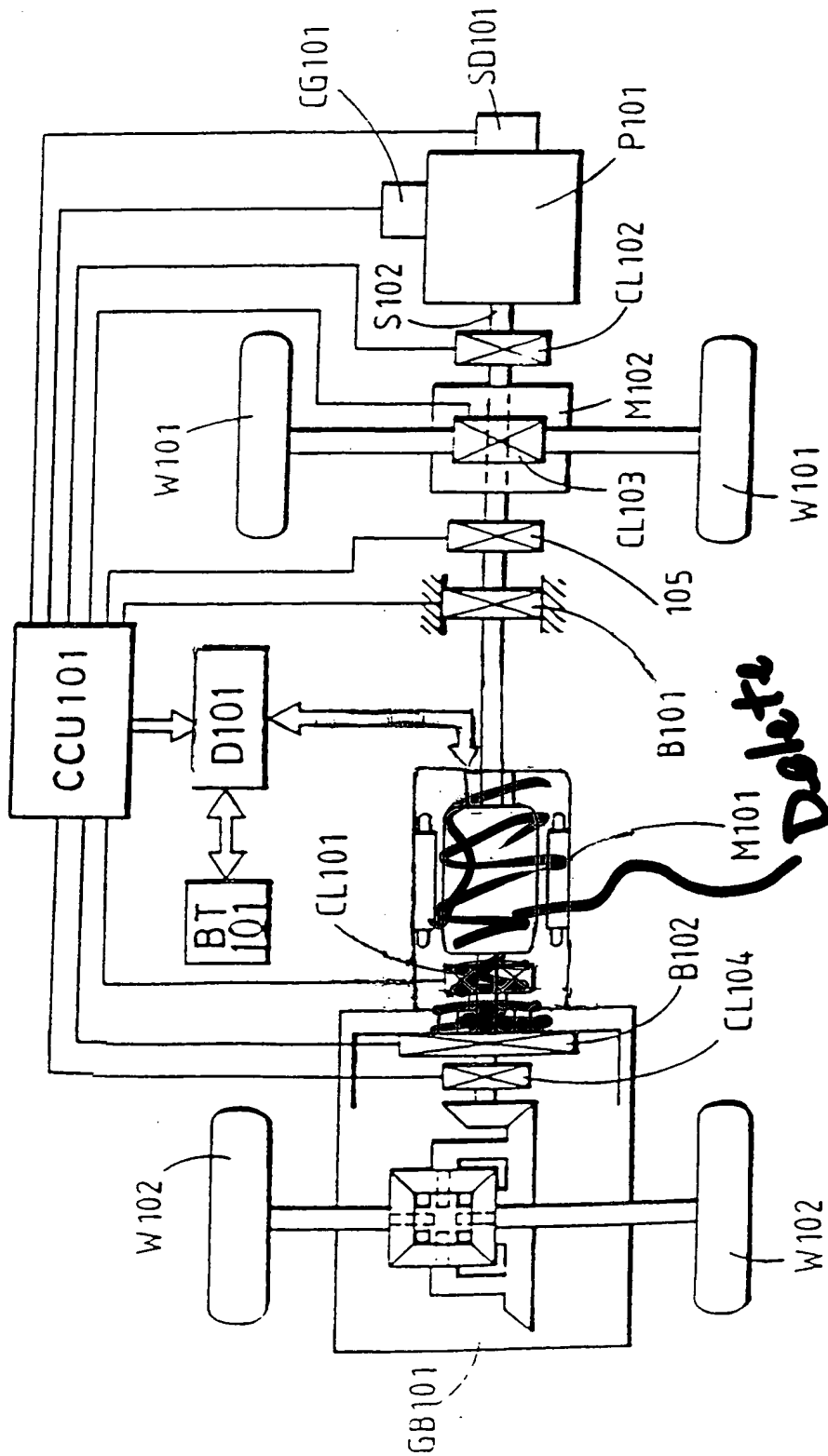
*Delete*



ANNOTATED SHEET SHOWING CHANGES



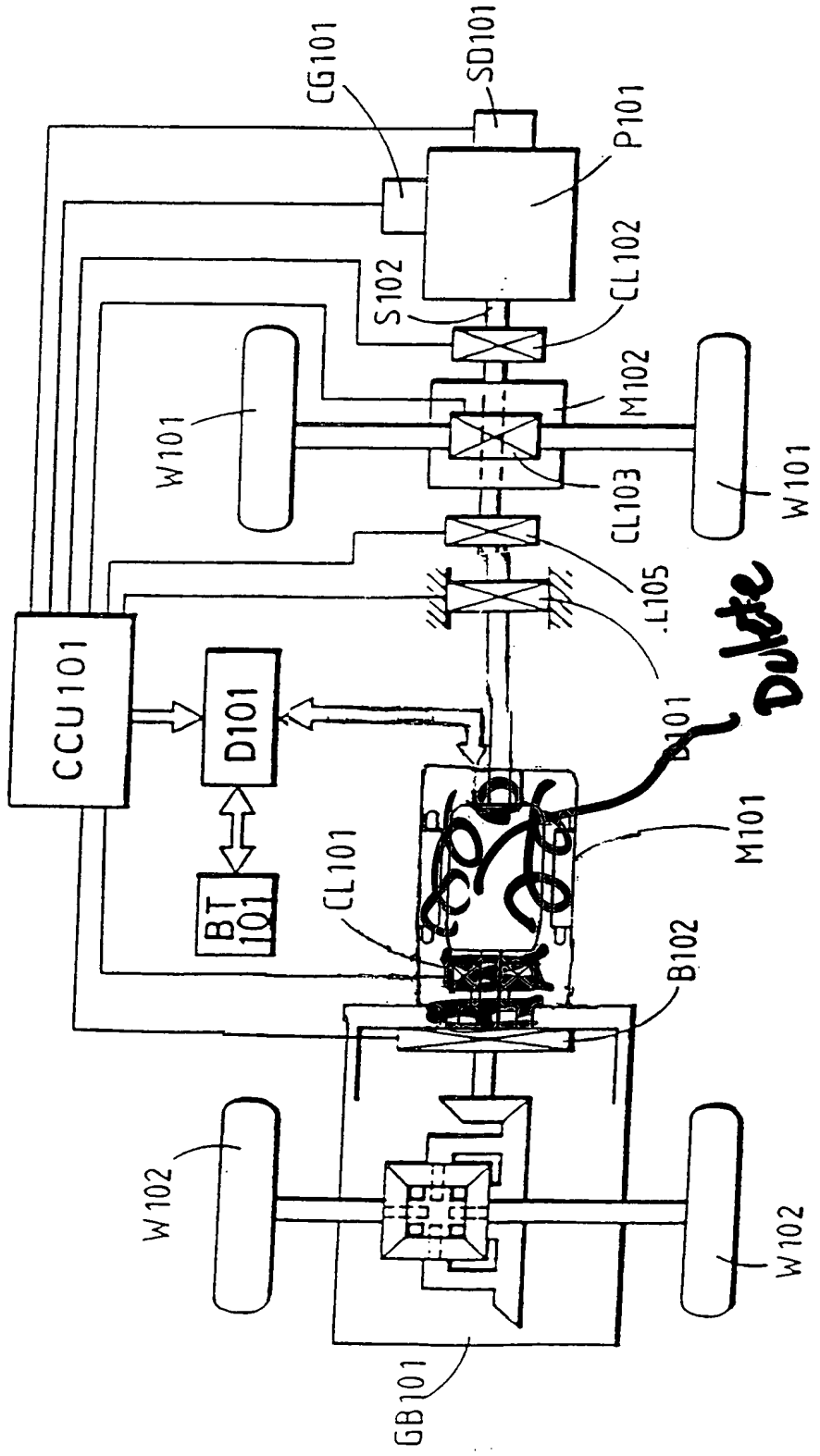
AMENDED FIG. 5



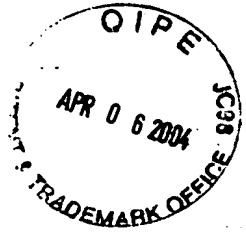
ANNOTATED SHEET SHOWING CHANGES



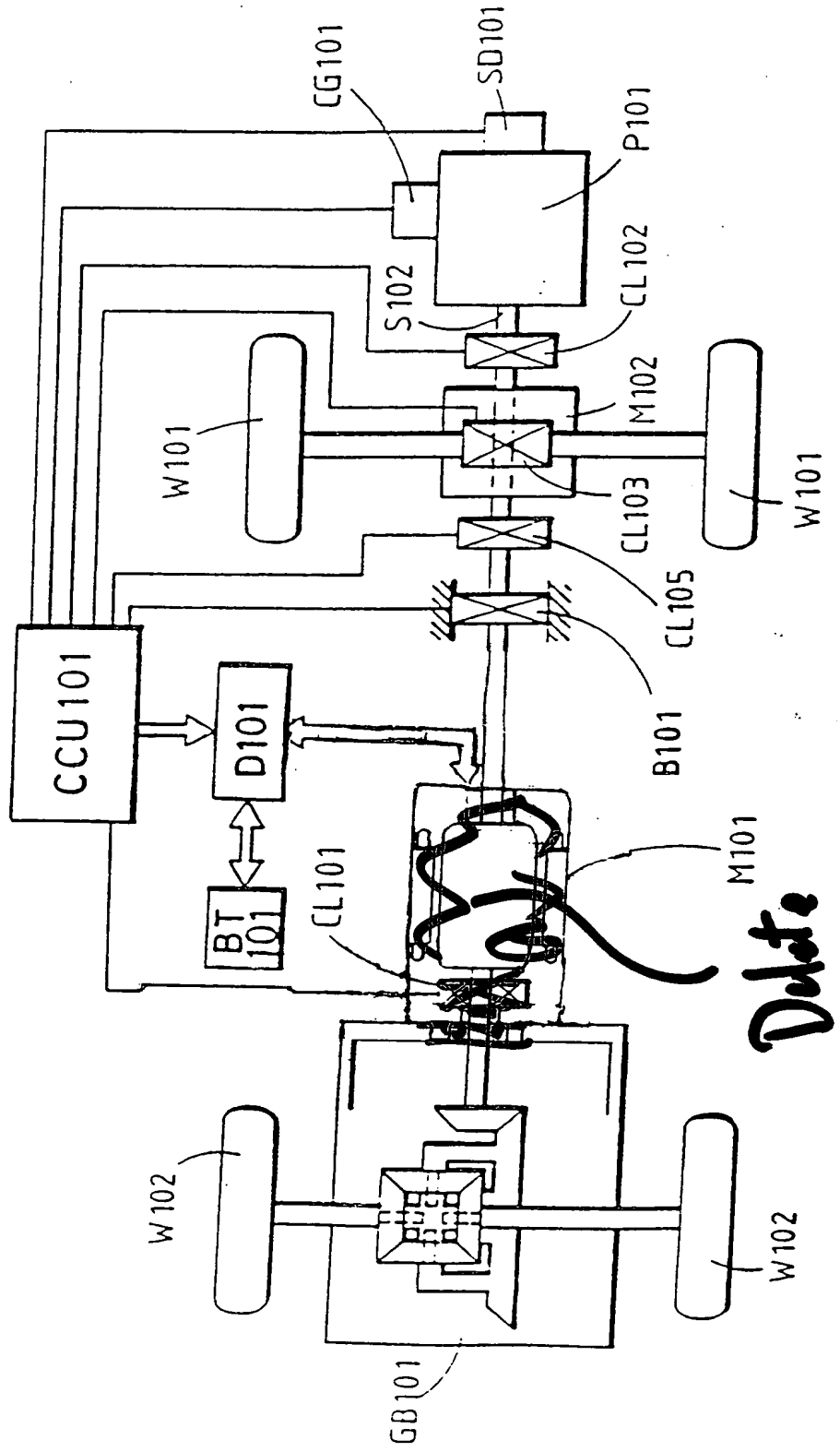
AMENDED FIG. 6



ANNOTATED SHEET SHOWING CHANGES



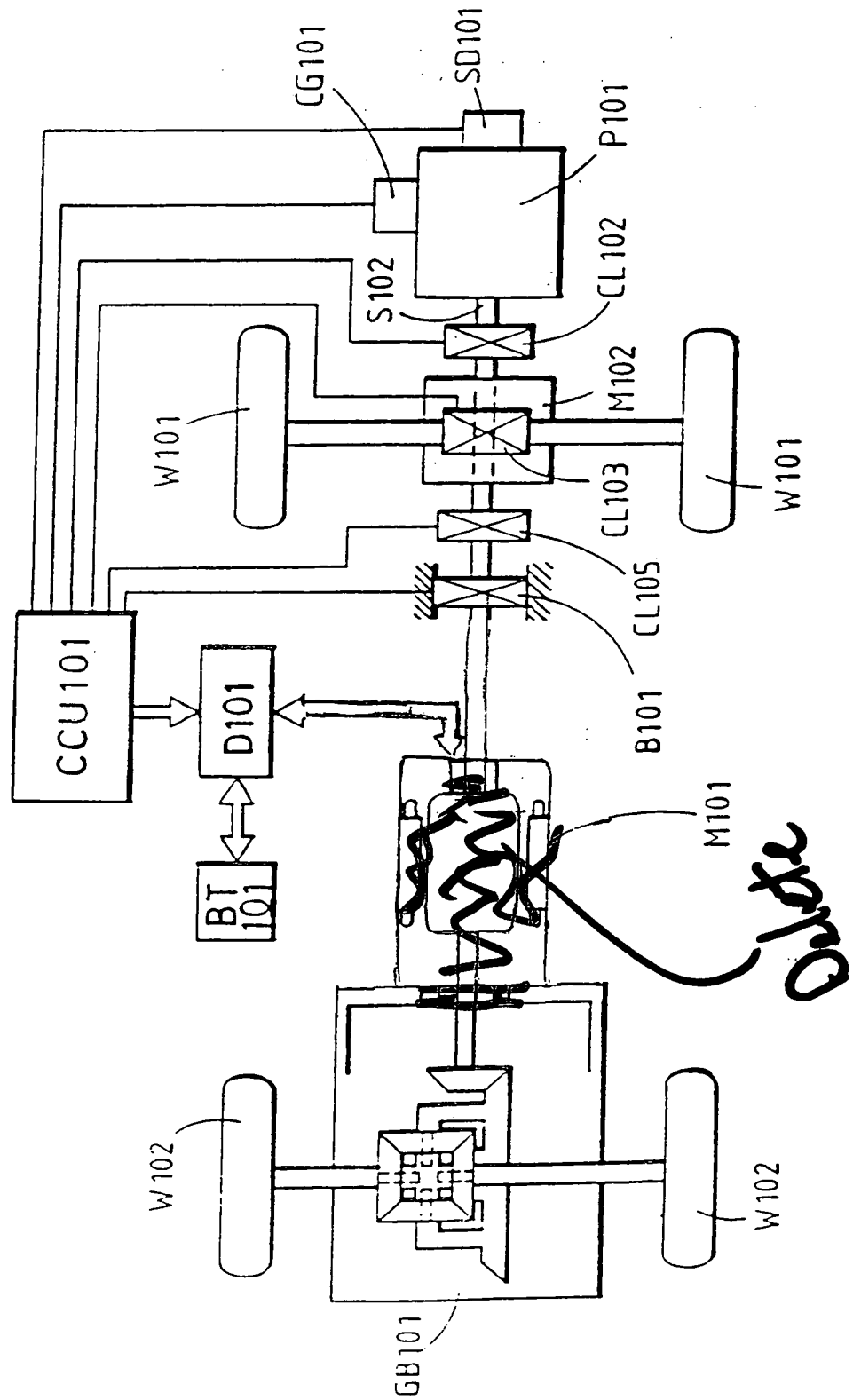
AMENDED FIG. 7





ANNOTATED SHEET SHOWING CHANGES

AMENDED FIG. 8



TRADEMARK OFFICE 8623  
APR 06 2004  
PIPE